

Hot Dog Warmer - Instruction Manual

Models: CK7111, CK7112



To avoid risk of accidents or damage to the appliance, it is essential to read these instructions before it is installed and used for the first time.

Caterkwik Ltd

The Lakeland Catering Centre
Newlands
Ulverston
Cumbria
LA12 7QQ

01229 480001

info@caterkwik.co.uk





Hot Dog Warmer - Instruction Manual

Introduction

Introduction

Thank you for purchasing the Cater-Cook Hot Dog Warmer. In order to make full use of its functions, please read these instructions carefully and keep for future reference.

This Cater-Cook Hot Dog Warmer is designed for commercial applications to keep hot dogs warm and ready to serve and eat.

Please pay close attention to the following instructions to avoid any accidental injury to the user or damage to the machine.

- Only use the machine in accordance to these instructions.
- Store the machine away from direct sunlight, and in a cool / dry place.
- DO NOT leave the machine within reach of children. This machine is not to be operated by children or people lacking in mental or physical capacity to do so, unless they are fully supervised by a trained individual.
- Do not reposition the machine when it is in use.
- Position the power cord away from any hot surfaces.
- Do not touch the heating spikes when in use.
- In the event of damage to be repaired.

Contact Caterkwik's Service team on **01229 480001**



Hot Dog Warmer - Instruction Manual

Technical Info

Model Information

Depending on which model you have purchased, you will have the option to warm hot dogs as well as bread buns.

The CK7112 warms the hot dogs by heating a bath of water underneath the jar. This hot vapour then in turn circulates around the hot dogs.

The CK7111 has the same water bath method, along side 4 heated spikes design to warm, without drying the bread buns ready for serving.

Model	CK7111	CK7112
Power (W)	75 x 4 (spikes) + 800	800
Dimensions (mm)	W575 x D340 x H430	W355 x D340 x H425
Voltage (V)	220-240	220-240
Current (A)	2.6	1.3
Weight (kg)	9.7	6.1



Hot Dog Warmer - Instruction Manual

Operation / Handling

Installation

- Position the machine on a level, stable surface, away from any active heat sources.
- Do not position the machine against a wall, or any partition that is combustible.
- Keep the machine a minimum of 10cm from any surrounding wall.

First Operation

- Add 600ml (around 5cm high) of water to the water reservoir.



WARNING!

Do not use the machine without adding water.

Power Connection

- Ensure that the mains connection matches both the voltage and frequency stated on the machine's data plate.
- Ensure the cable and plug itself are in good condition.
- The plug must be installed with a suitable fuse (13A)



Hot Dog Warmer - Instruction Manual

Operation / Handling

Operation

- After adding water, select the desired temperature using the temperature control knob.
- Once up to temperature, the amber indicator light will turn off. The machine is now ready to use.
- After use, rotate the temperature knob to the OFF position.
- Turn the machine off.
- Before discarding the water to clean, allow time for it to cool down.

Cleaning & Maintenance

Clean the machine regularly, or after each use.

- Fully disconnect the machine from the power supply.
- Clean using soapy water along with a non-abrassive cloth or pad.
- Once cleaned, wipe dry with a fresh clean cloth.



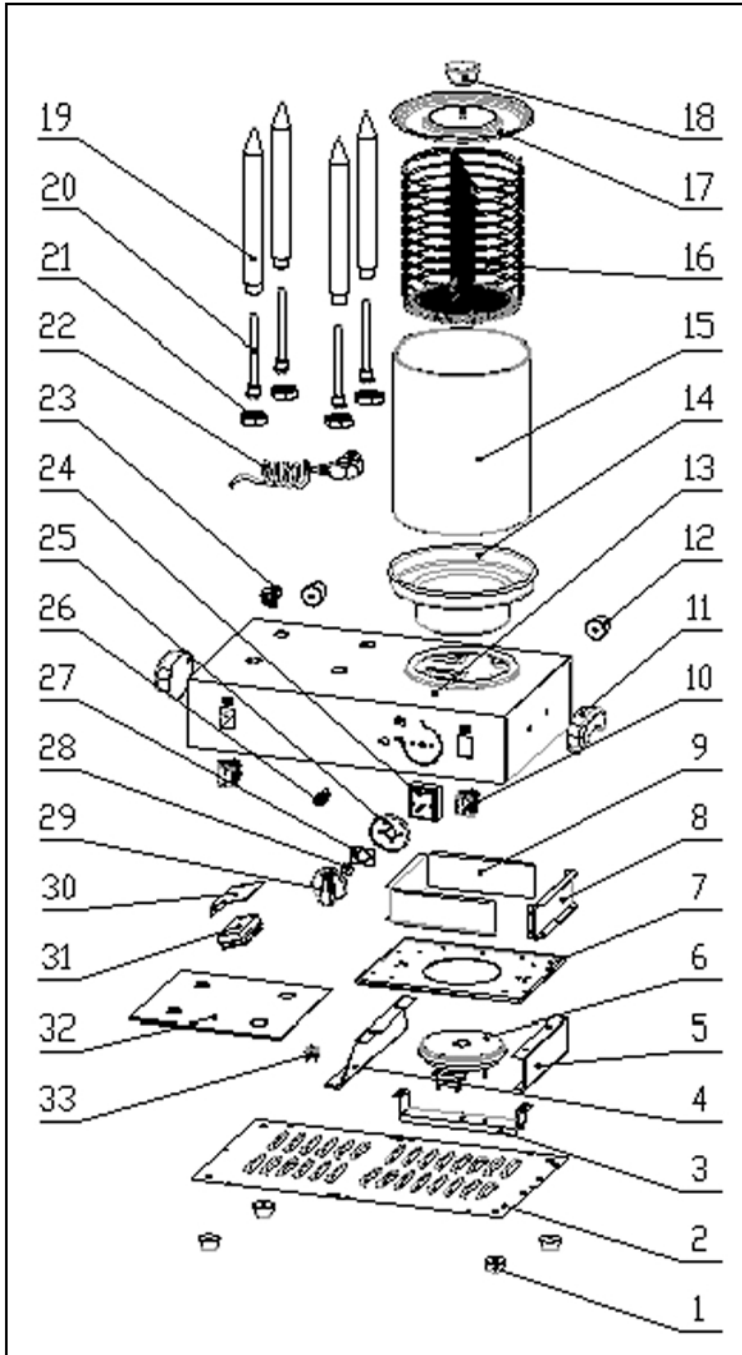
WARNING!

- **Never clean the machine with a water jet, as this can lead to damage within the internal electrical components.**
- **Never immerse the machine in water to clean.**
- **Never clean the power cord or plug with water.**



Hot Dog Warmer - Instruction Manual

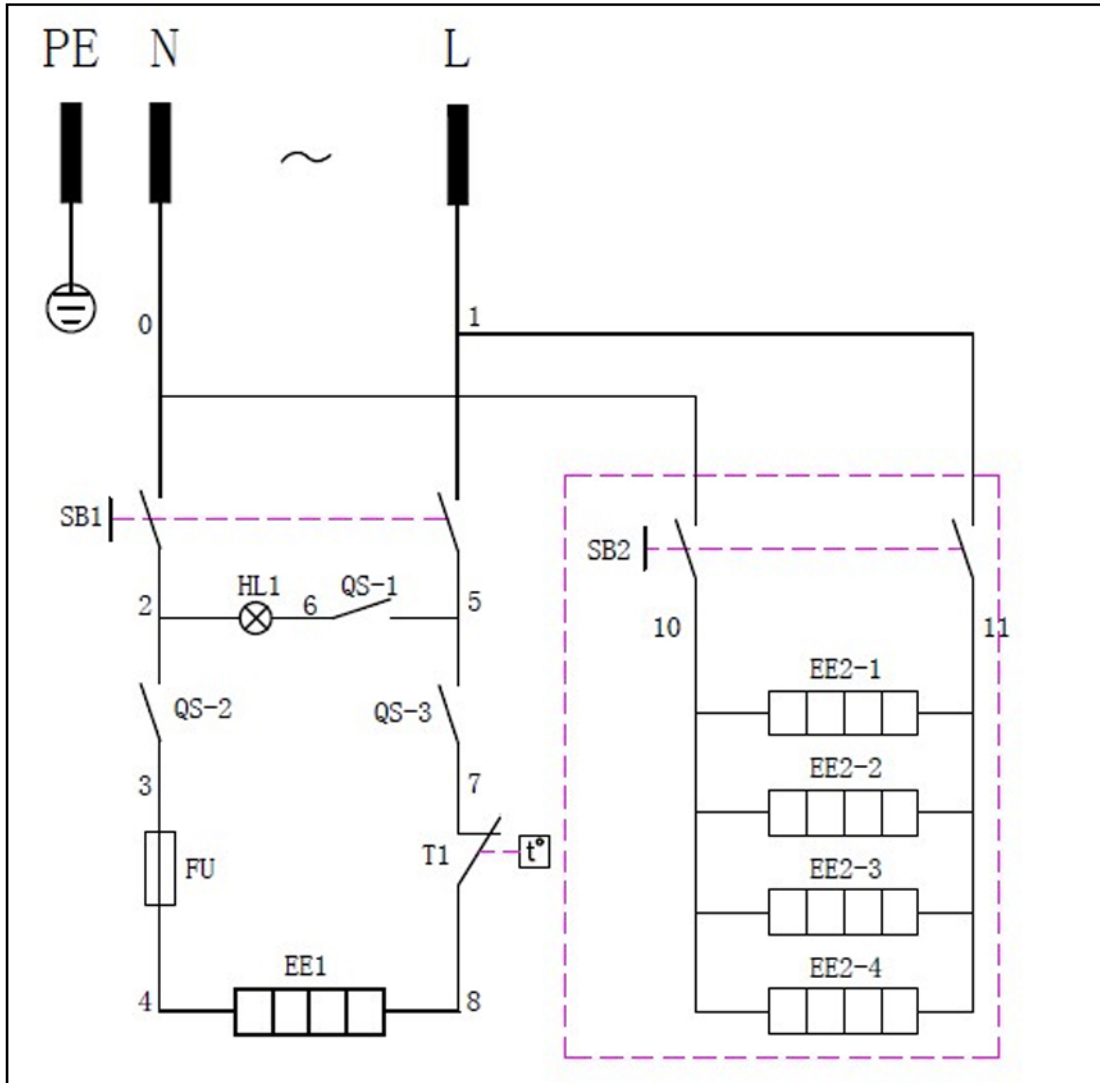
Exploded Diagram



- 1 Rubber feet
- 2 Bottom plate
- 3 Element support bar
- 4 Left support bar
- 5 Right support bar
- 6 Heating plate
- 7 Burner support
- 8 Insulation
- 9 Insulation
- 10 Switch
- 11 Handle
- 12 Protective washer
- 13 Top plate
- 14 Water dish
- 15 Glass casing
- 16 Metal basket
- 17 Basket lid
- 18 Handle
- 19 Bread spike
- 20 Heating element
- 21 Securing nut
- 22 Element wiring
- 23 Cable
- 24 Thermostat
- 25 Switch ring
- 26 Indicator light
- 27 Limiter board
- 28 Limiter board
- 29 Switch
- 30 Connector fixing
- 31 Connector
- 32 Base plate
- 33 Thermostat



Hot Dog Warmer - Instruction Manual Circuit Diagram



- | | | |
|------------|-----|-----------------|
| SB1 | SB2 | ON/OFF Switch |
| QS-1, 2, 3 | | Switch |
| HL1 | HL2 | Indicator light |
| EE1 | EE2 | Heating element |